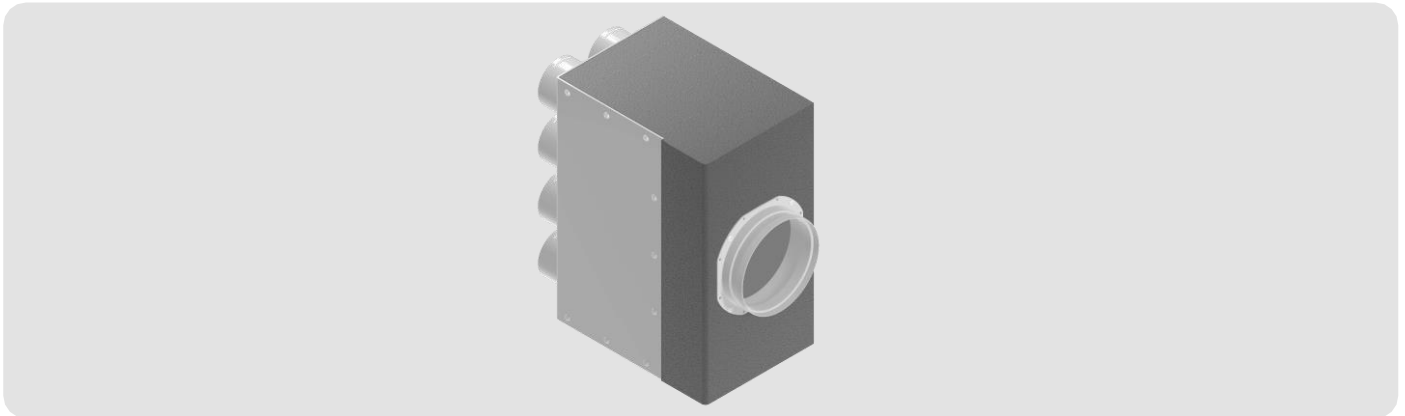


SMART LARGE distribution box made of sheet metal - PVC

SMART LARGE DISTRIBUTION BOX IN SHEET METAL - PVC



CARATTERISTICHE

Box for distributing fresh air to habitable rooms or extracting exhausted air from humid rooms. They have a main connection, with multiple diameters (from Ø160 to Ø180 or from Ø180 to 200) variable from model to model, to be connected to the ventilation unit via a rigid or flexible duct (possibly with the interposition of a silencer, not supplied).

They are equipped with connections to Ø75 or Ø90 round semi-rigid piping for distribution to the various rooms.

They are built on each of the two sides with provision for the possible addition of a PVC plate (see accessories below).

Materials of construction:

Galvanized steel plate 1 mm thick for the body of all boxes; (the L-shaped plate with Ø75 or Ø90 connections is made of anti-condensation PVC thick. 4 mm).

The Ø75 and Ø90 connections are made with FITT Agix "GREY" threaded PP collars.

The main connection is made with a PVC collar equipped with a double gasket and fixed with screws; a PE strip is included to switch to Ø180 and Ø200 diameter, respectively.

Outer coating:

With 6 mm thick polyethylene foam insulation (the L-shaped plate is not coated).

Partial inner lining (on 1 side):

With 10mm thick polyester fiber coated with air duct film.

Fixing methods:

Fixable to the wall or ceiling. They are complete with no. 4 adjustable "L" brackets for fixing, including self-tapping screws for fixing them on the box.

Operating temperature:

-50 ÷ 60°C.

Reversibility of attachments:

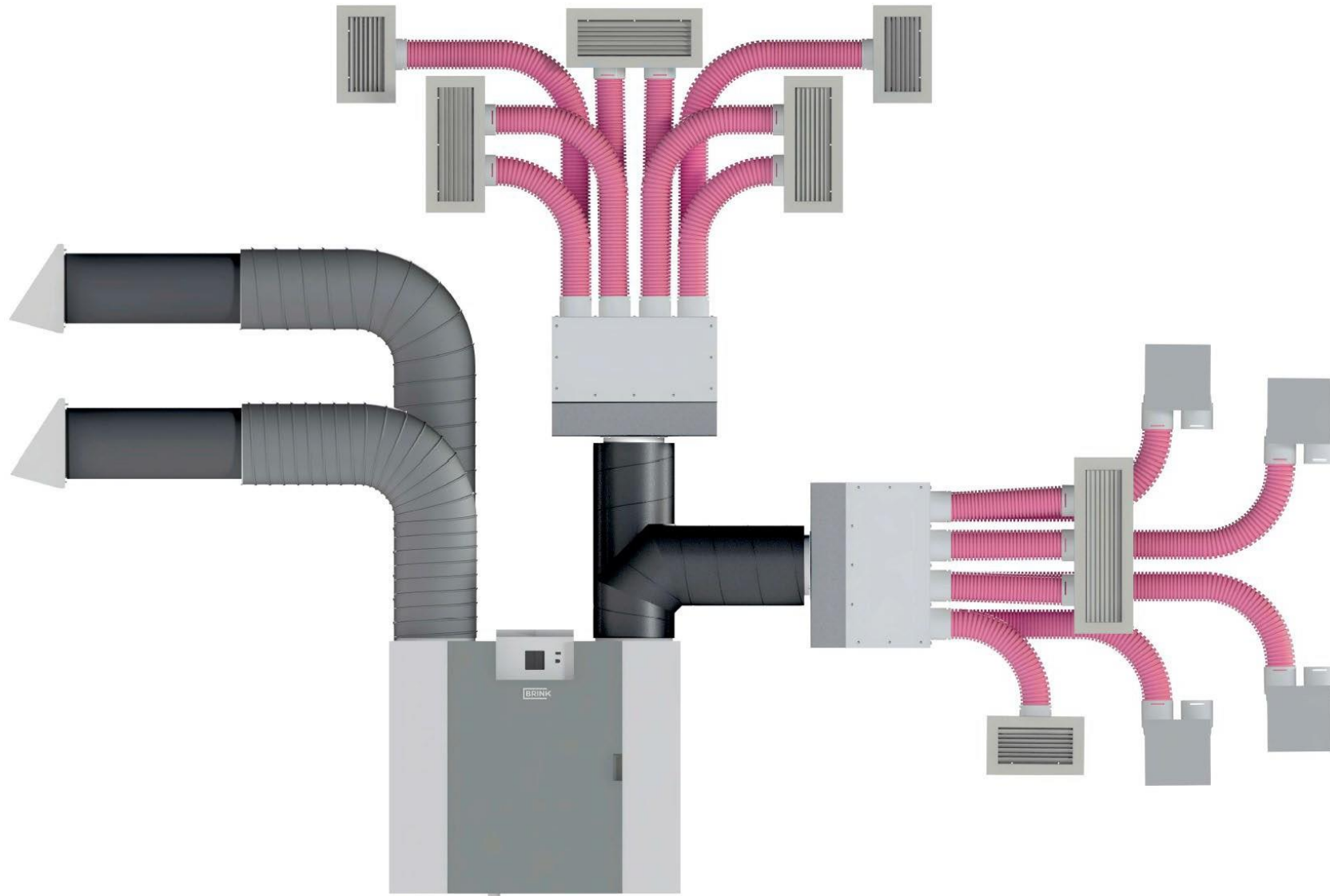
as standard, the Ø75 (or Ø90) couplings are single-sided; they are reversible, being possible, by simply unscrewing the PVC L-plate that supports them by reversing the position of the plate and refixing it, to take the couplings from AXIAL [as standard] to LATERAL and vice versa.

ACCESSORIES (optional)

- PVC plate with no.2 additional collars Ø75 "Grey" cod. VMSMPL275

- PVC plate with no.2 additional collars Ø90 "Grey" cod. VMSMPL290

For other accessories (especially of "GREY" collars and piping) see the relevant data sheets.

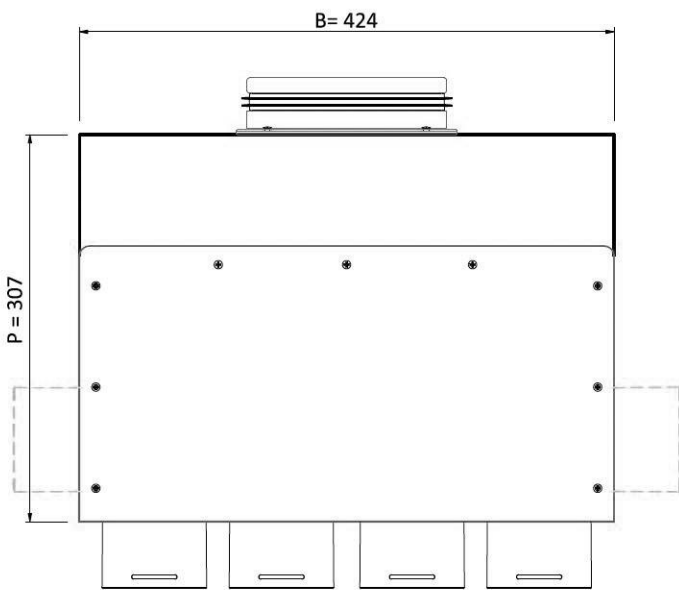
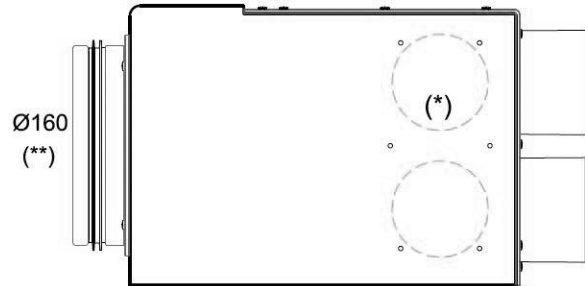
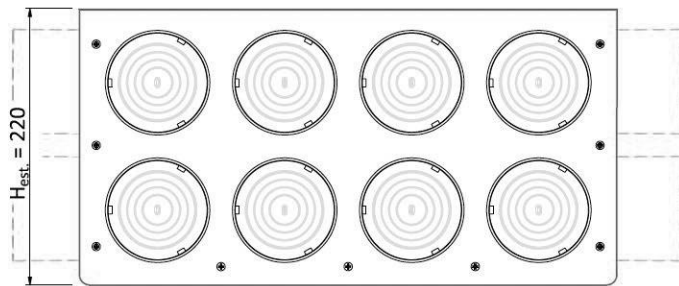


Example of installation of two SMART Large boxes for VMC (one for supply and one for extraction) associated with a Flair series heat recovery unit

DIMENSIONS

Distribution box mod. smart Large with $\varnothing 75$ distribution connections - cod. VMSML16875

In the drawing below it is with n. 8 distribution couplings in AXIAL position and any 2 + 2 couplings on the two sides

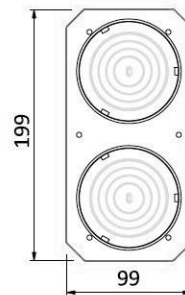


N. 8 collarini Grey $\varnothing 75$

NOTE.

-Le misure sono esterne e sono comprensive dello spessore del rivestimento in PE espanso adesivo di spessore 6 mm.

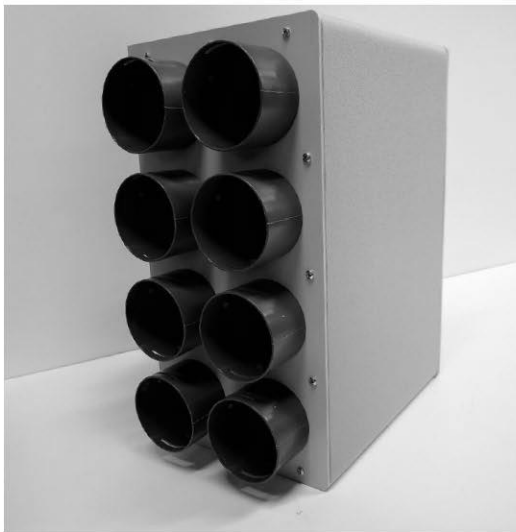
(*) Predisposizione, sia su questa faccia che sulla faccia opposta, per installazione (eventuale) della placca in PVC a due collarini aggiuntivi. La predisposizione è realizzata mediante pretranciatura/preforatura lamiera e segni di taglio nel rivestimento.



[placca cod. VMSMPL275]

Placca in PVC sp.3, opzionale, con relative viti. I due collarini $\varnothing 75$ sono avvitati sulla placca (e su piastra). I collarini vanno svitati dalla placca per potere ben fissare al box con viti, di cui 4 presso la base del collarino.

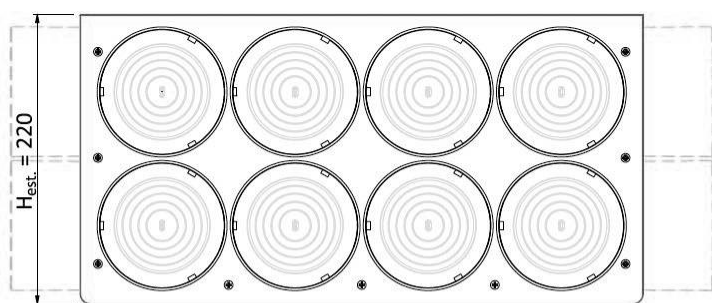
(**) Oltre al collare in PVC $\varnothing 160$ viene fornita di serie una striscia in PE espanso per eventuale aumento a $\varnothing 180$.



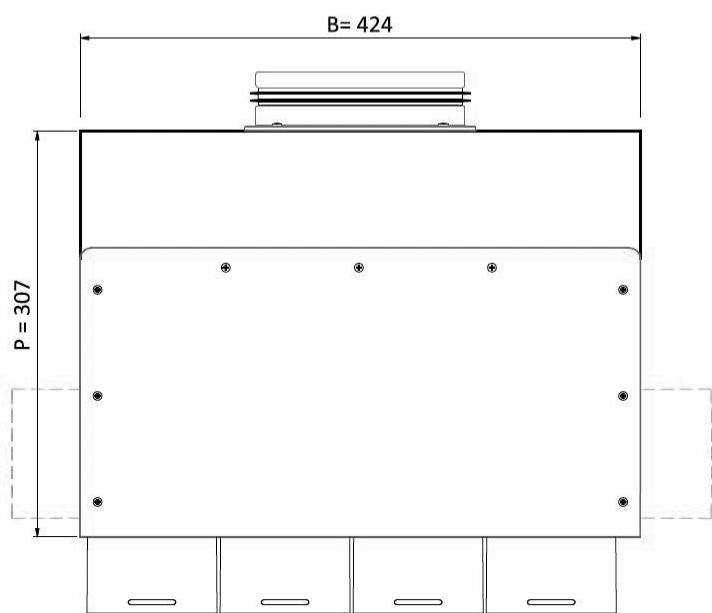
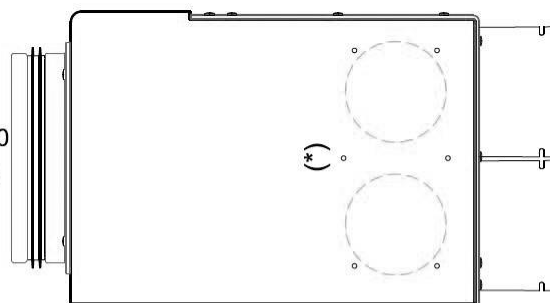
DIMENSIONS

Distribution box mod. smart Large with $\varnothing 90$ distribution connections - cod. VMSML1618890

In the drawing below it is with n. 8 distribution couplings in AXIAL position and any 2 + 2 couplings on the two sides



$\varnothing 160$
(**)

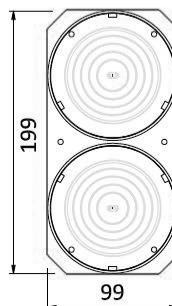


N. 9 collarini Grey $\varnothing 90$

NOTE.

-Le misure sono esterne e sono comprensive dello spessore del rivestimento in PE espanso adesivo di spessore 6 mm.

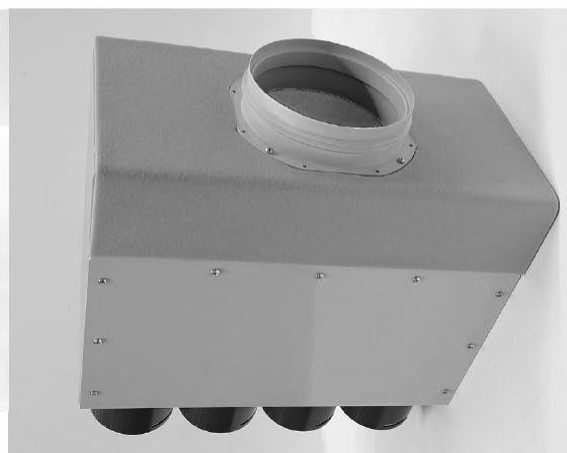
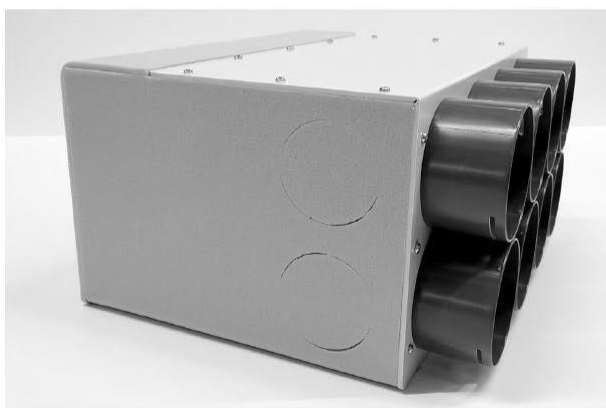
(*) Predisposizione, sia su questa faccia che sulla faccia opposta, per installazione (eventuale) della placca in PVC a due collarini aggiuntivi. La predisposizione è realizzata mediante pretranciatura/preforatura lamiera e segni di taglio nel rivestimento.



[placca cod. VMSMPL290]

Placca in PVC sp.3, opzionale, con relative viti. I due collarini $\varnothing 90$ sono avvitati sulla placca (e su plastra). I collarini vanno svitati dalla placca per potere ben fissare al box con viti, di cui 4 sotto la base del collarino.

(**) Oltre al collare in PVC $\varnothing 160$ viene fornita di serie una striscia in PE espanso per eventuale aumento a $\varnothing 180$.



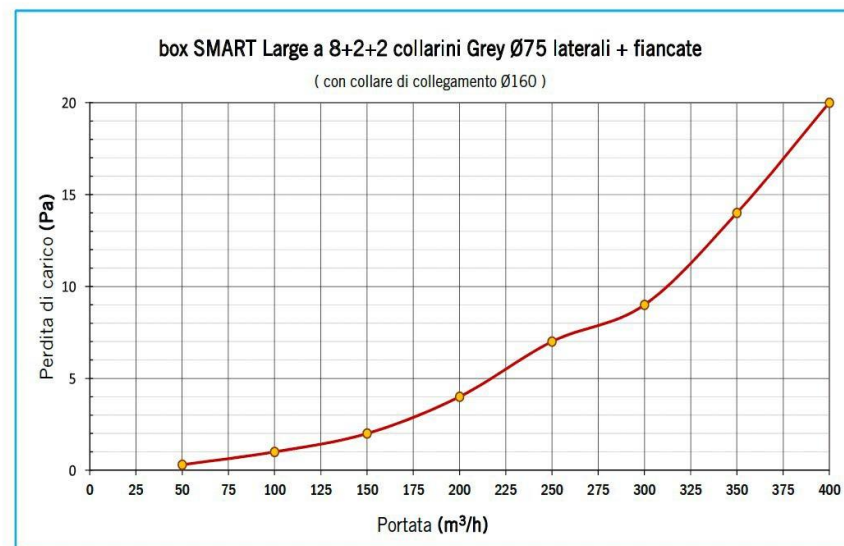
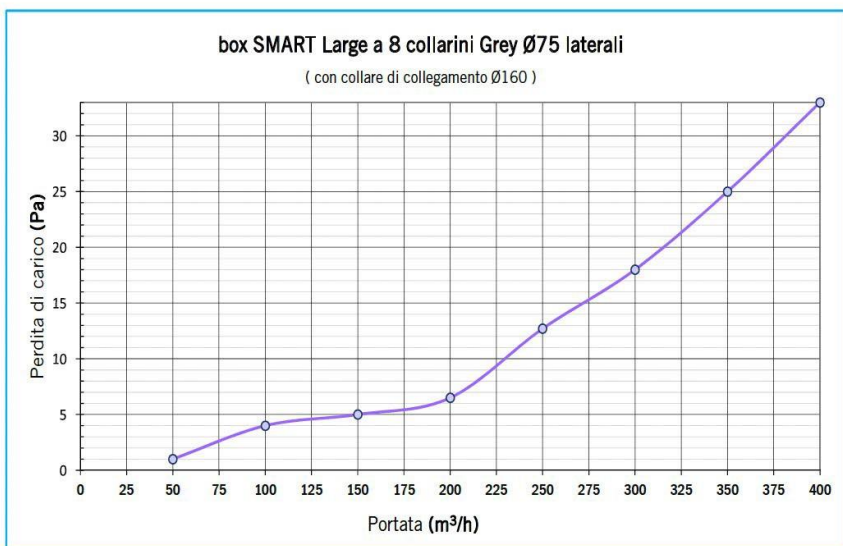
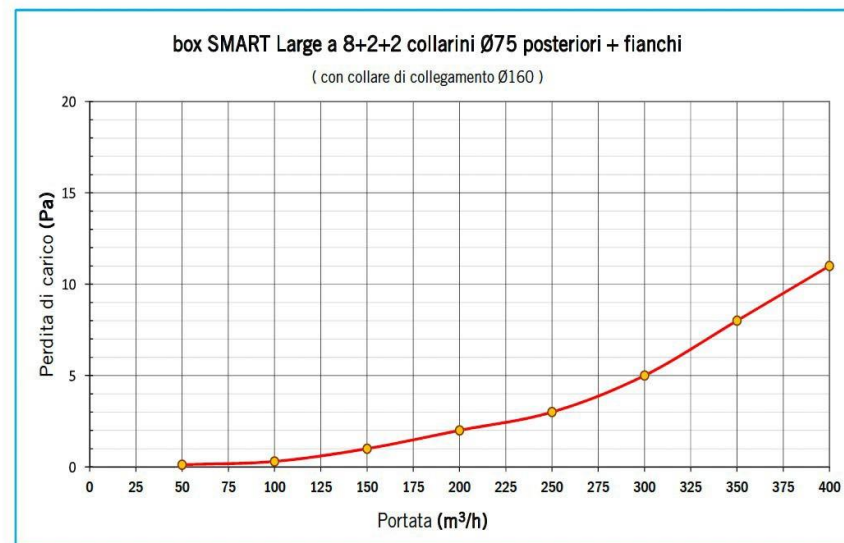
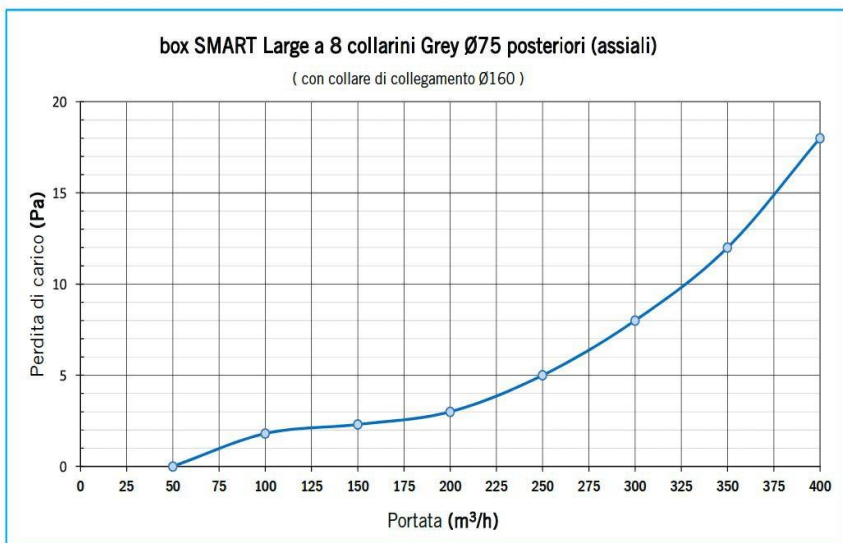
TABLES FOR QUICK CHOICE OF SMART BOXES Large

Code	Connection diameters unit side of ventilation*	N. collars of distribution. OF SERIES	Ext. diameter. tube semi-rigid	Type of collar of attack **	Max scope of the box with SERIAL collars (m ³ /h) ***	N. collars additional plate collars PVC	Maximum capacity on with additional (m ³ /h) ***
VMSML1618875	Ø160 / Ø180	8	Ø 75	Ø75 GREY	272	2 + 2	400
VMSML1618890	Ø160 / Ø180	8	Ø 90	Ø90 GREY	384	2 + 2	400
VMSML1820875	Ø180 / Ø200	8	Ø 75	Ø75 GREY	272	2 + 2	480
VMSML1820890	Ø180 / Ø200	8	Ø 90	Ø90 GREY	384	2 + 2	550

* The connection is made with PVC collar (with gasket) in the smaller diameter of the two.

** For the GREY collars (Ø75 and Ø90), there is no need for any plug for unused couplings as they have an internal septum of total closure (to be removed in place). The inner septum is (always in place, easily) sectionable into sectors: the GREY collars also function as flow regulators. Additional collars (OPTIONAL) can possibly be Ø90 in diameter even if the remaining collars are Ø75, and vice versa, as the PVC collar holder plate is unique for the two diameters.

*** Flow rate calculated based on the air flow rate of each distribution pipe for a velocity (max) of 3 m/s in each pipe or based on the max flow rate of the main pipe .



Pressure drop graphs of SMART Large boxes mod. VMSML16_875
 (the "+2+2 collars" graphs refer to boxes with the addition of VMSMPL275 plates; in the total Δp (the Ø160 flexible hose section is included)

GRAPHICS

Graphs of the load pe ditions of SMART Large boxes mod. VMSML16_890 (the “+2+2 collars” graphs refer to boxes with the addition of VMSMPL290 plates; in the total Δp (the section of flexible pipe $\varnothing 160$ is included)

